

Model type:

CP0V9M(X)AUS

Commercial code:

F059061

General notes

Technical Documentation guidelines

You can find herewith some generic information to simplify consulting of technical documentation:

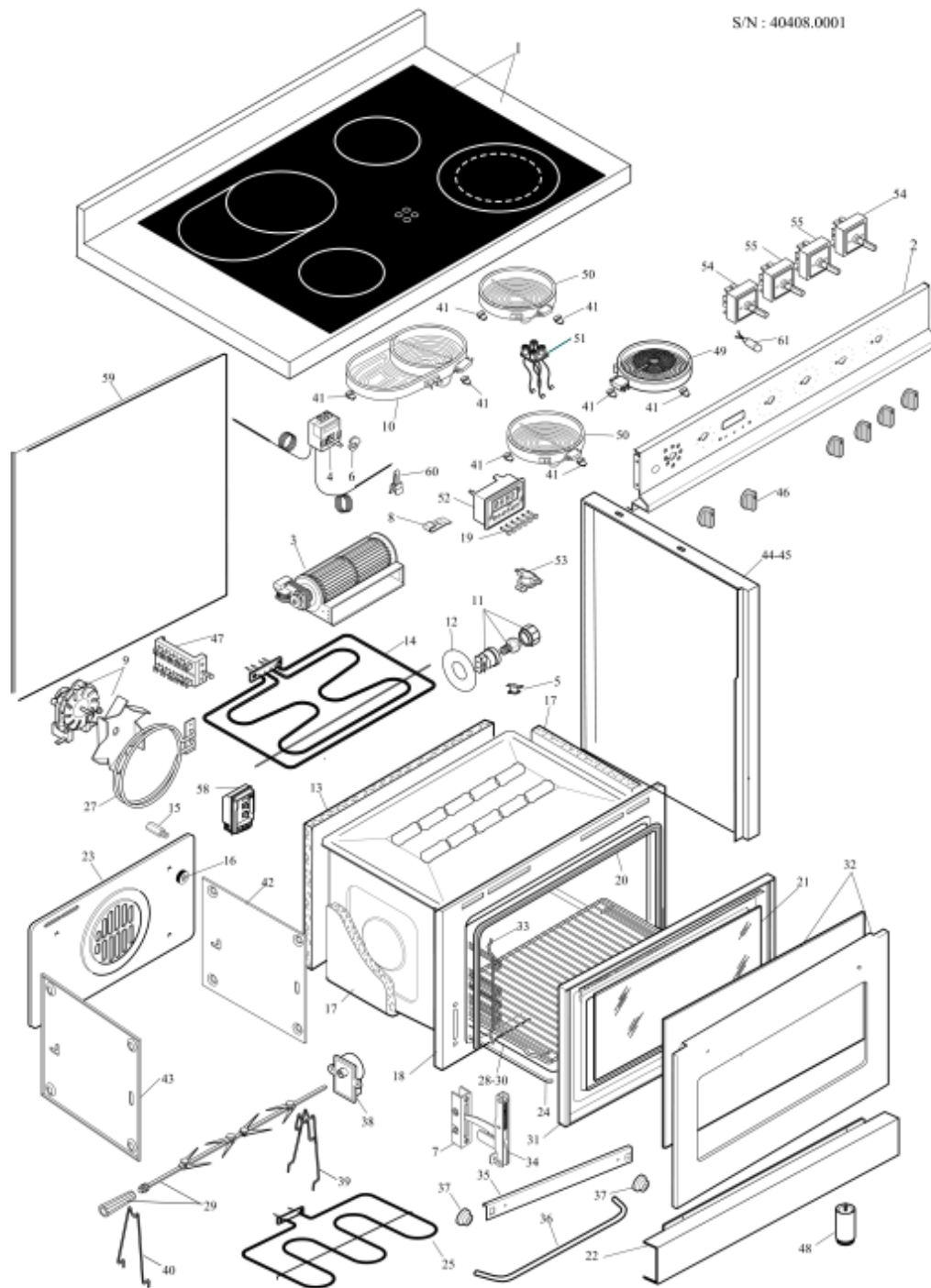
1. Models of same range share the same exploded views, which report the richest set of spare parts: generally, a model does not necessarily have a related spare part for each particular shown on exploded views.
2. Some spare parts can not be represented directly on the exploded views (instruction booklets, specific kit, etc...). You can find those codes in the spare parts list with the same reference of particular where spares are installed or with references 099, 999. Instruction booklets, once managed, appear with 000 reference.
3. On the higher right site of each exploded view there is a serial number which indicates the beginning of the production of certain range: some models might have more than an exploded view for a given category, each distinguished by a different serial no. and linked to another spare parts list, In this case, serial no. is required to supply the right spare part code. Exploded view to be considered is the one with a more recent serial no. but previous than the one of the model that needs assistance.
4. Exploded views might require further updates even after publishing. Addition of new spares will go on following the already existing numeration references. Revision number of an exploded view is shown into last four digits of serial number into upper right hand corner.
5. The spare parts list associated to an exploded view shows related codes of spares managed for a certain model; for each spare part other informations are available:

REF: reference no of spare into a table; SUBSTITUTE: list of spare(s) which can replace a code but that keeps same functional characteristics

INDUSTRIAL CODE: list of variables of a model (shown into model label) where such spare is used; NOTICE: code of information(s) to refer to complete technical intervention, track for changes or to find correct spare part code.
6. Some notices, into a same section are generic therefore cannot be directly linked to a spare part. In order to assist a model in the best way as possible, it is helpful to pay attention to all notices and constantly verify documentation updates
7. Technical documentation cover shows model name and its commercial codes

star0082

Exploded views



star0082

Spare parts list

Ref.	Code	From	To S/N	Substitute	Description	Notice	Industrial
001	C00114539				hob top cp 0v9 m ##		
002	C00111782			1 x C00277828	support elettronic programm.gray		
002	C00113774				dashborad cp 0v9 m x de.		
003	C00033781				motor fan/assy -		
004	C00089745				thermostat		
005	C00081599				thermostat 75c n.a. (ck)		
007	C00075148			1 x C00271825	roller support m26		
008	C00049971				flat spring retainer-thermos.capil.		
009	C00060312				fan motor		
010	C00098934				heater, 2400w (1500w) ego		
011	C00050003			1 x C00280056	lamp-holder complete		
012	C00052172				protection		
013	C00266292				oven insulation mat - rear		
014	C00141175				upper grill heating element		
015	C00051017				pin mm26		
016	C00302785				impellor zincato		
017	C00118293				oven insulation		
018	C00090725				oven gas - enamelled		
019	C00090737				knob ix (electronic prog) - star		
020	C00091946				oven door seal		
021	C00193991				joint inner glass		
022	C00096781				door front lower - stainless indesit		
023	C00193995				oven inner back panel- self		
023	C00259083				screw m4x8		
024	C00076073				enamelled drip tray		
025	C00091953				upper heating element box		
025	C00141176				lower heating element - 1300w		
025	C00288252	11002...			lower heating element box		
027	C00141180				heating element fan oven v230		
028	C00049947			1 x C00110232	oven shelf		
029	C00056079				turnspit l-537		
031	C00143724				inner door		
032	C00194134				outer door glass cp059md.2		
033	C00066389				side shelf		
034	C00083113				oven door hinge (fixed pivot)		

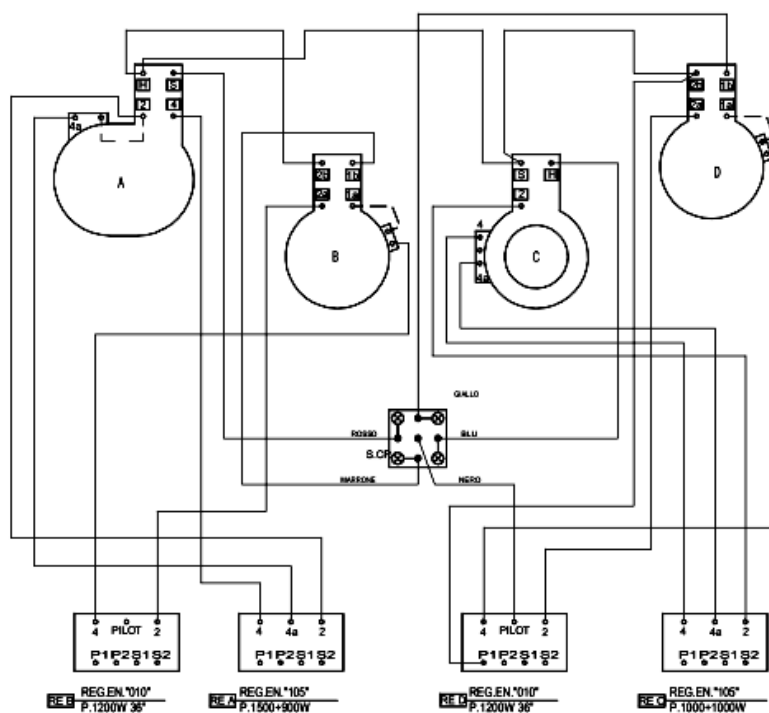
star0082

Spare parts list

Ref.	Code	From	To S/N	Substitute	Description	Notice	Industrial
035	C00145640				handle support		
036	C00083330				washer 5,3		
036	C00260605				screw m5x14 tcb brun		
036	C00266051				oven door handle inox eg900		
037	C00082473				handle spacer		
037	C00266249				handle spacer seal		
038	C00141179				motor -rotisserie		
039	C00049974				rotisserie support		
040	C00049973				holder tbc?		
041	C00033111				spring retainer - radiant ring		
042	C00193993				rh oven liner panel - self cleaning		
043	C00193994				lh oven liner panel - self cleaning		
044	C00096720				side panel r/h indesit		
045	C00096721				side panel left indesit		
046	C00111916				knob ix		
047	C00052299				light switch 10 pole star		
048	C00074052				foot inox		
049	C00139043				heater, 2000w 230v		
050	C00092132				heater 165-r8-12std-vr1 1200w		
051	C00133651				residual heat lights		
052	C00051477				electronic program eaton 220-		
053	C00049968				thermostat non adjustable		
054	C00136415				power regulator (105)		
055	C00037056				energy regulator grill/hotplates		
058	C00255959				junction block		
059	C00113777				back panel cooker		
060	C00039578				push in spring clip - thermostat		
060	C00053617				flat spring retainer-thermostat		
061	C00074135				neon lens clear		
061	C00089743				pilot light red		
099	C00062122		11001...		lower heating element box		
099	C00260288				rear cross beam		
099	C00265465				oven bottom cover		

Electric schemes and links

Cod. 16001265002



A=PIASTRA 1500+900 W
 B=PIASTRA 1200 W
 C=PIASTRA 1000+1000 W
 D=PIASTRA 1200 W
 S.CR.=SPIE CALORE RESIDUO

N.B.-PIANO VISTO DA SOPRA

16001265002

Legend

Legend: 16001265002

AE	Ignition transformer	PE	Plate electric (Normal and Rapid)
AT	Ignition transformer	PEL	Wall socket
CF	Oven commutator	PIF	Cooking programmer
CP	Plate commutator(Normal end Rapid)	POT	Thermostated potentiometer
CT	Plate commutator(Automatic)	PT	Termoprotector
DC DR	Double Knob double crown burner control card	PTC	Thermostated sensor
EV	Electro-Valve	RCE	Grill heating element ex- ternal
FC	End of cooking programmer	RCI	Grill heating element internal
FRONT	Daschboard	RE	Energy regulator
I/LF	OVEN LIGHT SWITCH	RF	Oven lower heating element
I/LF-MG	OVEN LIGHT SWITCH + ROTISSERIE	RG	Grill heating element
I/MG	TURNSPIT SWITCH	RG COM	Grill heating element un- ion
IL	Knobs' Lighting	RV	Heating element ventilated oven
ILG	Lamp switch turnspit	SA	Boiler operating led
IT	Thermostated switch	SB	Thermostated burner led
L	Line (Feed)	SF	Warning light working
LF	Oven light	SO	Probe temperature
LI	Oven light	SP	Operating Indicator Light for the Plate
M	Suction motor handle	ST	Warning light thermostat
MG	Turnspit motor	TH	Thermostat fixed
MO	Terminal board	TH2	Thermostated burner cooling
MUFF	Oven	THR	Adjustable thermostat
MV	Fan motor	TP	Termoprotector
N	Neutral (Feed)	TRAV	Support terminal board
PA	Ignition push-button	TRM	Thermostated burner control card