

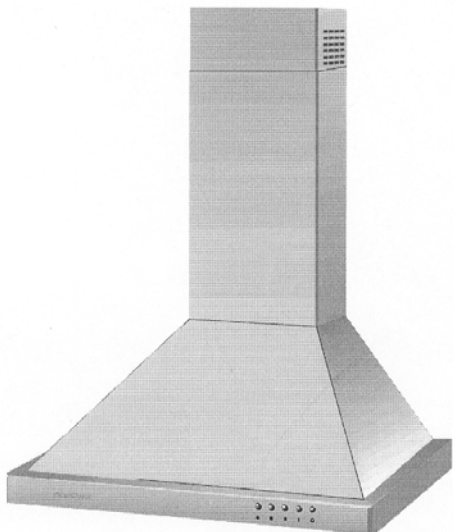
Fisher & Paykel
appliances

customer **care**[™]

Parts Manual Rangehood

Model:
RH900CR FP

Product Code:
87489



care

87489

PRODUCT

Brand Fisher & Paykel
Voltage 220-240V 50Hz
Model RH900CR FP
Product Code 87489

Fisher & Paykel Appliances Ltd
78 Springs Road,
East Tamaki,
PO Box 58-732, Greenmount,
Auckland,
New Zealand
Telephone: 09 273 0600
Facsimile: 09 273 0656
Email: customer.care@fp.co.nz

Fisher & Paykel Customer Services Pty Ltd
PO Box 798, Cleveland, QLD 4163
A.C.N. 003 3335 171
19 Enterprise Street
Cleveland, QLD 4163
Australia
Telephone: (07) 3826 9100
Facsimile: (07) 3826 9164
E-mail: customer.care@fp.com.au

CONTENTS

RANGEHOOD..... 6
 WIRING DIAGRAM 9

GUIDE TO USING THIS MANUAL

The model covered by this manual is listed on the front cover.

The information detailed in this manual is subject to change without notice. The latest version is indicated by the reprint date and replaces any earlier editions.

The front cover picture shows the type of product and may not necessarily be an exact image of the model covered by the manual.

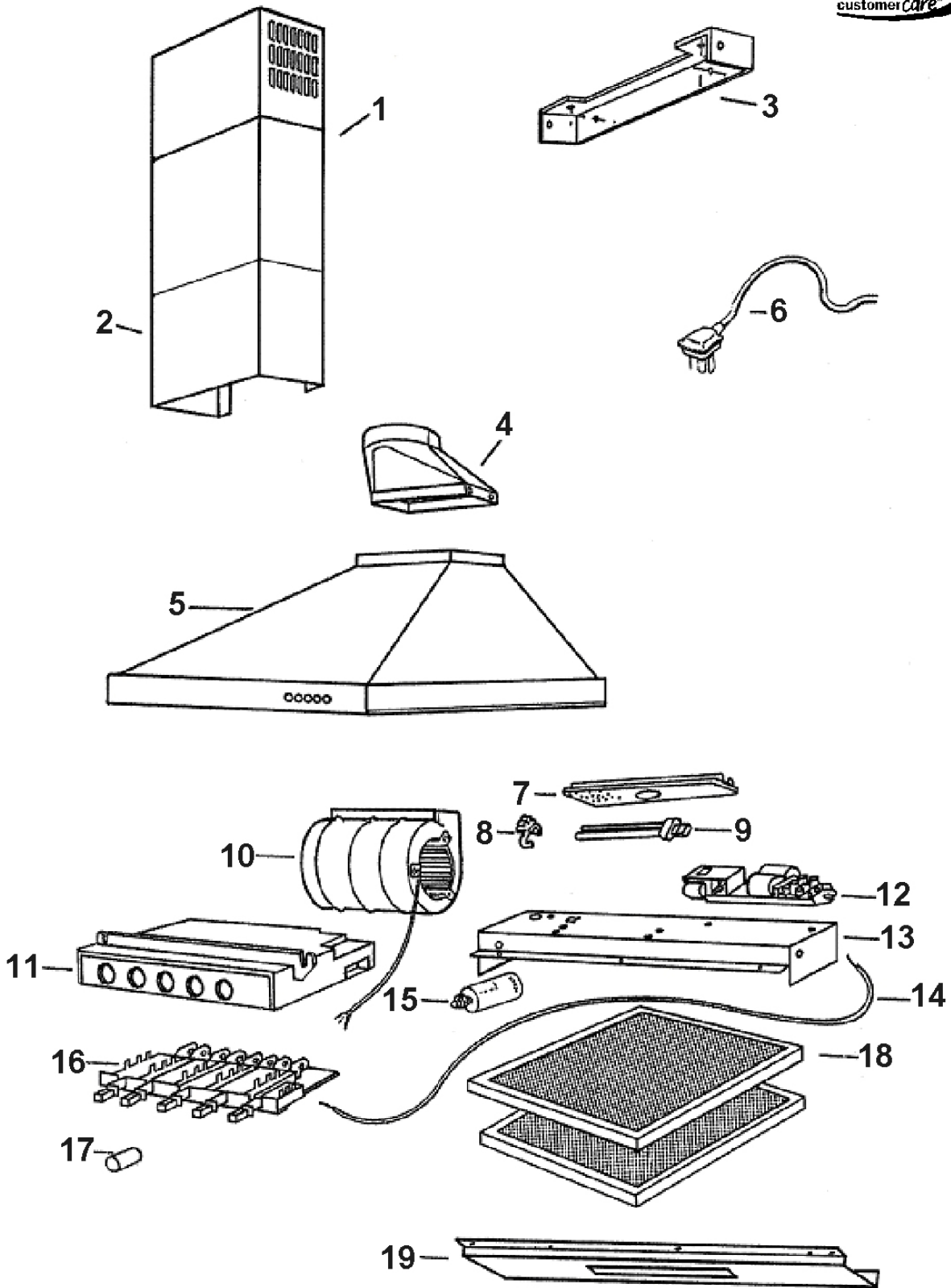
Kit Parts

The components shown in *italics with a part number* are those parts in the kit which are available also as separate items. In addition, some parts may be supplied with this kit which are not available as separate items and are therefore either not listed or a part number is not shown against the part description in this manual.

Parts List Key

NOT USED	As a part, indicates the diagram part reference is not used in this manual.
<i>italics</i>	Kit components or parts included are shown in <i>italics</i> . Refer to above notes: Kit Parts.
NI	As a part reference, indicates the part is not illustrated on the diagram.

RANGEHOOD



RANGEHOOD

REF	PART	DESCRIPTION
1	R104013	DUCT TOP
2	R104012	DUCT BOTTOM
3	R104008	BRACKET CHIMNEY
4	R104020	ADAPTOR SQUARE 150MM DIA
5	R104088	BODY CANOPY
6	R101220	CABLE MAINS
7	R104006	DIFFUSER
8	R104025	SUPPORT CRADLE
9	R104029	LIGHT FLOURO TUBE 1 I W
10	R104011	MOTOR EBM
11	R104108	HOLDER ASSY SWITCH
12	R104027	BALLAST
13	R104082	COVER ELECTRIC
14	R104080	LOOM WIRING
15	R104010	CAPACITOR 3UF
16	R104071	SWITCH ASSEMBLY
17	R104073	BUTTON CONTROL
18	R104079	FILTER ALUMINIUM
	R104157	FILTER CHARCOAL
19	R104084	PANEL ELECTRIC
NI	R104055	KIT CHIMNEY DUCTING
	<i>Includes R104008</i>	<i>BRACKET CHIMNEY</i>
	<i>Includes R104012</i>	<i>DUCT BOTTOM</i>
	<i>Includes R104013</i>	<i>DUCT TOP</i>
	<i>Includes R104020</i>	<i>ADAPTOR SQUARE 150MM DIA</i>
NI	R104058	KIT MOUNTING HARDWARE

WIRING DIAGRAM

